

AMP Power Taps

Cable Mounted Products

Product Facts

- Excellent for power distribution
- For board-to-board and board-to-bus applications
- Louvertac high current contact used in receptacle
- ACTION PIN compliant pcb tails for high surface area contact with plated through hole
- Receptacle fits onto standard DIP 7.62 x 2.54 [.300 x .100] footprint
- Press-fit receptacle needs simple "flat-rock" tooling to install
- Accommodates board thickness from 1.37 to 3.18 [.054 to .125]
- Insulated body rated 105°C 94 V-0
- Blindmate capability (tolerance: ± 3.18 [$\pm .125$] in X and Y axes)
- Perpendicular board stacking
- Silver or Gold plated
- UL recognition at 35 Amps

Material and Finish

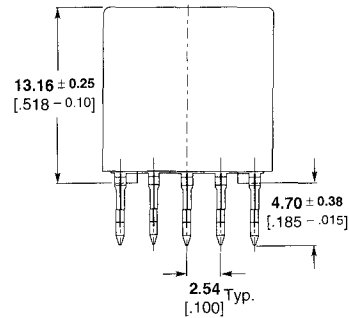
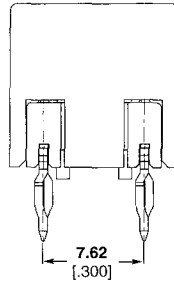
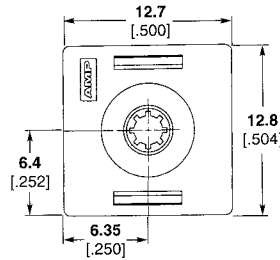
Housing — Thermoplastic black
Body — Zinc Alloy
Contact — Bronze Alloy
Pin — Brass Alloy

Technical Documents

Product Specification — 108-1624 and 108-1624-1
Application Specification — 114-11000 Tap, Power Distribution

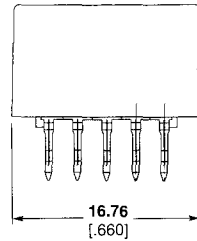
Compatible with Z-PACK 2mm HM product family.

Vertical Receptacle

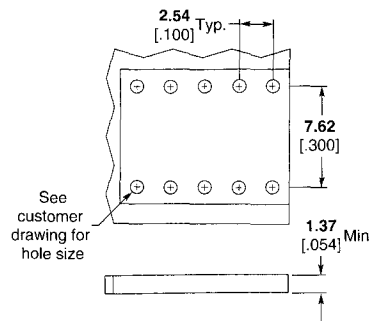
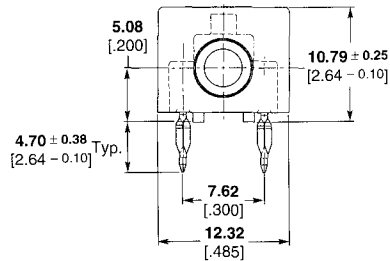


Recommended PC Board Layout

Right Angle Pin



$\varnothing 3.58$ [1.41]



Recommended PC Board Layout

Description	Plating	Part Number
Right Angle Pin	Gold	796137-2
Vertical Receptacle	Gold	796138-2